

DESCRIPTION

CD100/150 CI CLOSE COUPLED MOTOR PUMP ASSEMBLY

REF. NO.

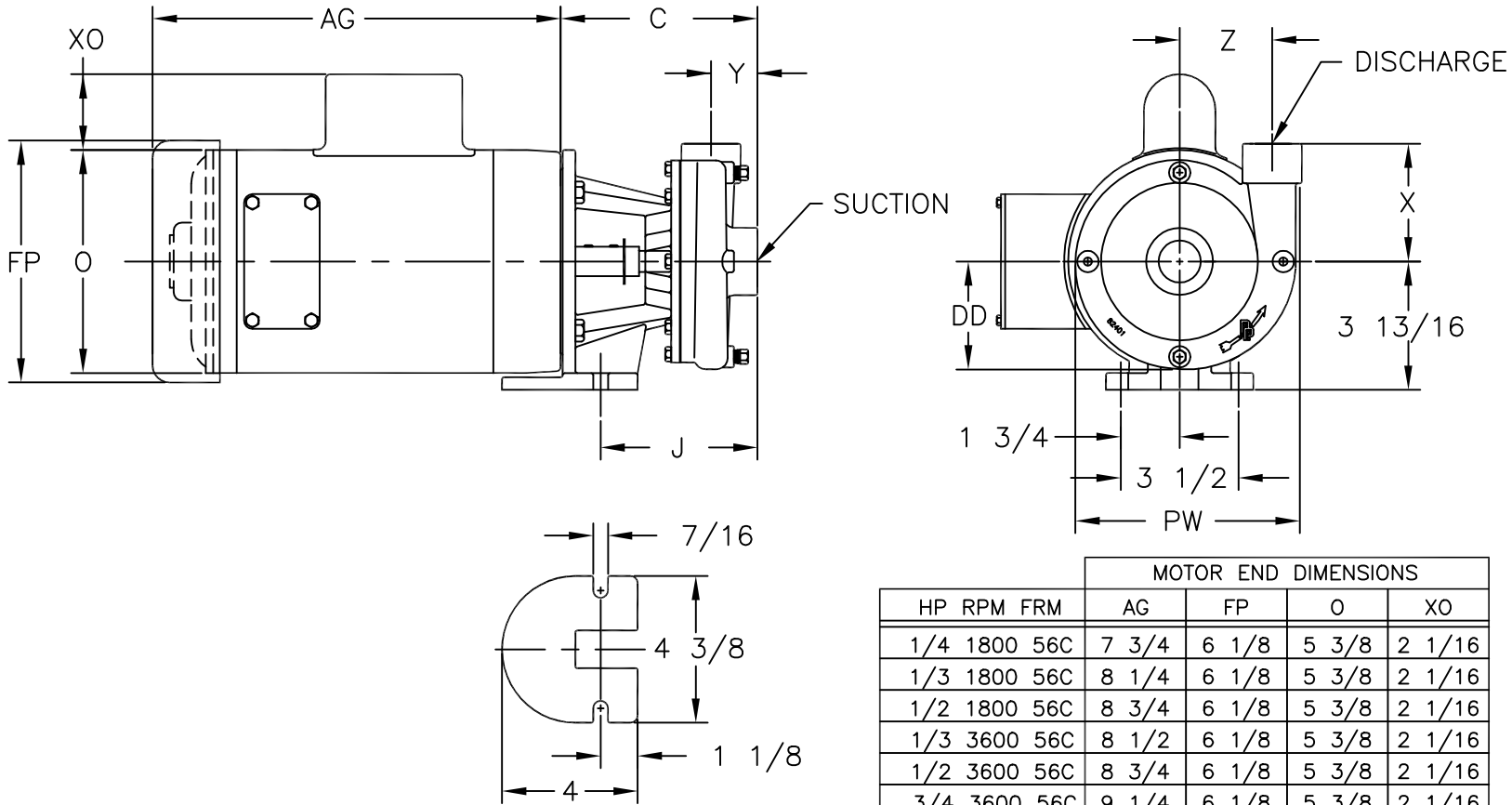
O-CDCIH

DATE

2/03/95

REV.

A



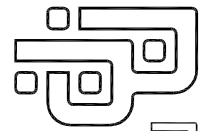
**NOTE:**

MOTOR DIMENSIONS WILL VARY BY MODEL AND MAKE, DIMENSIONS ARE TO BE USED FOR REFERENCE ONLY.

ALL DIMENSIONS HAVE BEEN ROUNDED TO THE NEAREST 1/16".

MOTOR END DIMENSIONS							
HP	RPM	FRM	AG	FP	O	XO	
1/4	1800	56C	7 3/4	6 1/8	5 3/8	2 1/16	
1/3	1800	56C	8 1/4	6 1/8	5 3/8	2 1/16	
1/2	1800	56C	8 3/4	6 1/8	5 3/8	2 1/16	
1/3	3600	56C	8 1/2	6 1/8	5 3/8	2 1/16	
1/2	3600	56C	8 3/4	6 1/8	5 3/8	2 1/16	
3/4	3600	56C	9 1/4	6 1/8	5 3/8	2 1/16	
1	3600	56C	9 3/4	6 1/8	5 3/8	2 1/16	
1 1/2	3600	56C	10 1/2	7 3/16	6 7/8	2 1/4	
2	3600	56C	11 1/8	7 3/16	6 7/8	2 1/4	
3	3600	56C	12 3/8	7 3/16	6 7/8	2 1/4	
5	3600	184C	13 5/8	8 1/2	7 7/8	2 1/4	

PUMP END DIMENSIONS									
	C	DD	PW	X	Y	Z	J	SUCTION	DISCHG
CD100 CI	5 7/8	3 3/16	6 11/16	3 1/2	1 3/8	2 3/4	4 5/8	1 1/4	1"
CD150 CI	6 13/16	4 1/16	7 15/16	3 13/16	2 1/8	3 1/16	5 5/8	2"	1 1/2



PRICE PUMP CO.

FACTORY FAX TRANSMITTAL DRAWING

#1 Pump Way P.O. Box Q  
 Sonoma, CA 95476 (707) 938-8441  
 707-FAX 938-0764